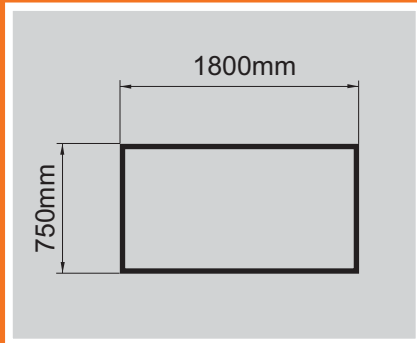


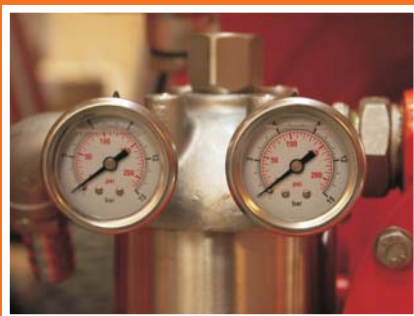
Stainless steel pump-head\*.



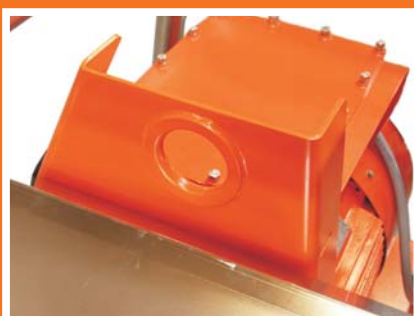
Compact with Small footprint.



Built In Heavy Duty Electrical Box



Filter Change Indicators.



Centralized Lifting Eye.



Model:	CE100-300	CE100-500	CE100-1000	CE100-1400	CE100-2050
<b>Technical details:</b>					
<b>50 Hz Version</b>					
W.P. Bar / Psi	300/4300	500/7250	1000/15000	1400/20000	2050/30000
Flow Lpm / Gpm	135 / 36	80 / 22	42 / 11	28 / 7,5	21 / 5,5
Motor Hp / Kw	100 / 75	100 / 75	100 / 75	100 / 75	100 / 75
Voltage / Amp.	400 / 81	400 / 81	400 / 81	400 / 81	400 / 81
<b>60 Hz Version</b>					
W.P. Bar / Psi	300/4300	500/7250	1000/15000	1400/20000	2050/30000
Flow Lpm / Gpm	135 / 36	80 / 22	42 / 11	30 / 8	21 / 5,5
Motor Hp / Kw	110 / 90	100 / 90	100 / 90	100 / 90	100 / 90
Voltage / Amp.	440 / 108	440 / 108	440 / 108	440 / 108	440 / 108
<b>Dimensions</b>					
L x W x H mm	1800 x 1050 x 1400				
Weight Kg	2000				

All models are CE marked

**Standard accessories incl. with each machine:**

- 20m high pressure hose.
- Trigger operated dump gun
- Barrel Lance with side handle.
- Nozzle Carrier with Nozzle(s).

**Optional accessories for each model:**

- x m Thermoplastic hoses
- Hose connectors.
- Air operated Un-loader "Tumble Box"
- Air operated trigger guns.
- Air or Dump operated Deck Cleaner
- Spare part kits.

# DEN-JET



Rotating Nozzle



Water Blasting With Rotating Nozzles.



Strainers & Filtration.



DEN-JET Factory  
Singapore



DEN-JET Factory  
Denmark

# HIGH PRESSURE WATER BLASTERS & ACCESSORIES

## UHP accessories (< 40.000PSI)

- Pneumatic gun with built in air-motor
- Tumble box.
- Floor/Deck cleaner.
- Hoses & Fittings.
- Nozzles & Nozzle carriers.
- Filters & Filtration systems.



## WB accessories (< 20.000PSI)

- Dump & Dry Shot guns.
- Foot valves.
- Unloader & Safety valves.
- Hoses & Fittings.
- Nozzles & Nozzle carriers.
- Wet Sand-Blasting Equipment.
- Strainer & Filters.



## Spareparts for other brands

- Guns & accessories.
- Fittings & connections.
- Internal pump parts.
- Packings & repair kits.
- Nozzles & Nozzle carriers.



## CD 100 Series

- Complete product range of Electric driven high pressure waterblasters ranging from 250 to 2050 Bar in a compact design for multi-purpose applications.
- Various accessories.



## Company Profile :

DEN-Jet's long experience in the high pressure industry has enabled us to create a range of water blasters and accessories, suitable for numerous applications in the industrial and marine industries. DEN-JET supplies complete packages to end-users and middlemen, as well as bare shaft pumps and parts to OEM's. Our main goal is to produce quality products at a competitive price level.

Contact: